

SOLAR POWER KIT AND 6.5-AMP-HOUR BATTERY

The Solar Power Kit is designed to provide power to any Davis weather station.

CAUTION: *Davis Instruments assumes no liability for any injury or damage caused directly or indirectly by the installation or use of this product.*

Product # 7708

The solar power subsystem comprises three units:

◆ **Solar Panel**

Converts solar energy to electrical energy. The unit provided is rated at 10 Watts. It provides about 600 mA of current in bright sunshine (1000 W/m^2). In 1f hours it provides power to operate the station for more than 24 hours.

◆ **Battery**

A battery is not included in the kit. You may wish to provide your own. The kit is designed to use the 6.5 Amp-hour Battery (7711), but any 12-volt rechargeable battery may be used. The 6.5-Amp-Hour battery, when fully charged, can supply power to operate the station for eight days without recharging, assuming an average temperature of 68°F (20°C). It will run for about seven days at 32°F (0°C) and about five days at -4°F (-20°C).

◆ **Regulator Circuit**

The regulator circuit performs three functions, designed to increase the efficiency and life of the battery:

◆ **Temperature-Compensated Voltage Limit**

The circuit limits the voltage to which the battery is charged, and it adjusts this voltage according to the temperature at the rate of 28 mV per degree C. This ensures that the battery is fully charged for the conditions, but never over-charged.

◆ **Load Disconnect**

The circuit disconnects the battery from the weather station if the battery voltage drops below approximately 10.8 Volts. This ensures that the battery is not deep-discharged, an event which shortens battery life.

◆ **Re-Connect**

When the battery voltage has risen about 0.7 Volt above the disconnect voltage, the circuit re-connects it to the station. This ensures that the battery is in the process of recharging before the load is restored. The re-connect causes the station to reset and restart if the standby battery was drained.

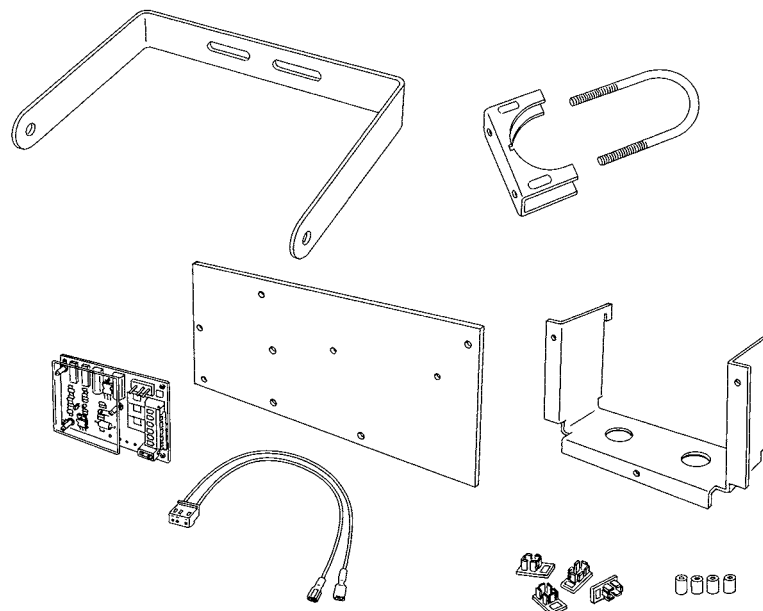
The regulator circuit also contains terminals (B3 and B4) to facilitate the use of the Alarm Output Module in switching power to accessories (for example a radio) to minimize power consumption.

CAUTION: *The battery (#7711) is sealed, but it should be assumed that it (and any other rechargeable battery) is capable of generating flammable gas. The battery should be located in a vented space, if possible. No spark, flame, or lighted cigarette should be allowed in the vicinity.*

COMPONENTS

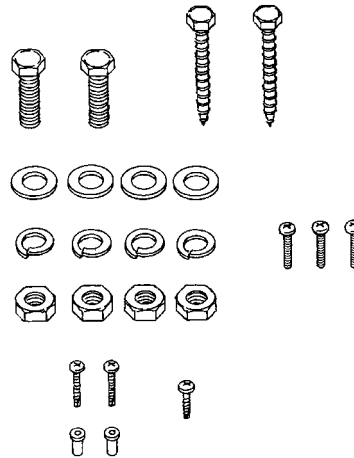
The Solar Power Kit includes the following components. Please make sure that you have all the listed components before continuing.

- ◆ Solar Panel
- ◆ Solar Panel Bracket
- ◆ 2-1/4" U-Bolt
- ◆ U-Bolt Saddle
- ◆ Regulator Circuit Assembly
- ◆ Battery Cover Plate
- ◆ Battery Mounting Bracket
- ◆ Battery Cable
- ◆ Solar Panel Mounting Accessories
 - ◆ Four End Caps
 - ◆ Four Rubber Sealing Tubes



◆ **Installation Kit Hardware**

- ◆ Two 5/16-18 x 3/4" (19 mm) Machine Screws
- ◆ Two 1-1/2" (4 cm) Lag Screws
- ◆ Four 5/16" Flat Washers
- ◆ Four 5/16" Split Lock Washers
- ◆ Four 5/16" Stainless Steel Hex Nuts
- ◆ Three #6-32 x 1/2" (12.5 mm) Machine Screws
- ◆ Two #4-40 x 1/2" (12.5 mm) Machine Screws
- ◆ Two Nylon Screw Insulators
- ◆ One #6 x 1/2" (12.5 mm) Sheet Metal Screw



TOOLS AND MATERIALS NEEDED FOR INSTALLATION

You may need some of the following tools and materials in order to install the Solar Power Kit.

◆ **Battery**

The kit is designed to use the 6.5-Amp-Hour Battery (Davis Product #7711), but you may use any 12-volt rechargeable battery.

◆ **Medium Phillips Screwdriver**

◆ **Adjustable Wrench or 1/2" Wrench**

◆ **Protractor**

To adjust solar panel to the correct tilt angle.

◆ **Magnetic Compass, Map of Local Area, or Watch**

To align solar panel to south in the Northern Hemisphere (or north in Southern Hemisphere). The watch may be used to set the panel facing the sun at solar noon.

◆ **Voltmeter**

To check battery voltages.

LABELING YOUR CABLES

Use the label sheets provided with your station to mark the battery cables before you begin installation. Doing this now will help prevent confusion during the installation and if you ever need to disconnect the cables at a later date.

- ◆ **Place one BATTERY/B2 label over both wires of the battery cable so the BATTERY side of the label is nearest the end of the cable with individual slide connectors. Place one BATTERY/B2 label onto the cable so the B2 side of the label is near the plastic connector.**
- ◆ **Place the CI/CONSOLE PWR/PI labels onto the power adapter cable, when instructed to do so in “Connecting to the Regulator” on page 12.**
- ◆ **Place the SOLAR PANEL/BI label over both wires of the solar panel cable with BI near the connector.**

LOCATION TIPS

The following tips should help you find the best possible location for your solar panel:

- ◆ **The solar panel works best when the surface of the panel receives full sunlight. Mount the panel away from fences, buildings, trees or other obstructions that may cast shadows over panel.**
- ◆ **The panel should be mounted facing south in the Northern Hemisphere and north in the Southern Hemisphere.**
- ◆ **The optimum tilt angle for the panel (measured from the horizontal) is determined from the site latitude, and may be found from the table below.**

<u>SITE LATITUDE</u>	<u>RECOMMENDED TILT ANGLE</u>
0° to 4°	10°
5° to 20°	latitude + 5°
21° to 45°	latitude + 10°
46° to 65°	latitude + 15°
65° to 75°	80°

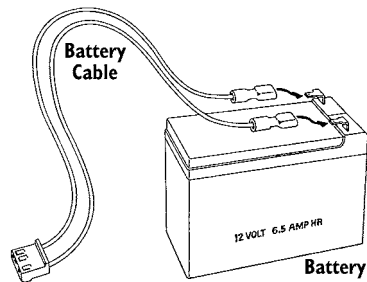
INSTALLING THE BATTERY

The instructions below explain how to install the 6.5-Amp-Hour Battery (Davis Product # 7711).

Installing the Battery in the Complete System Shelter

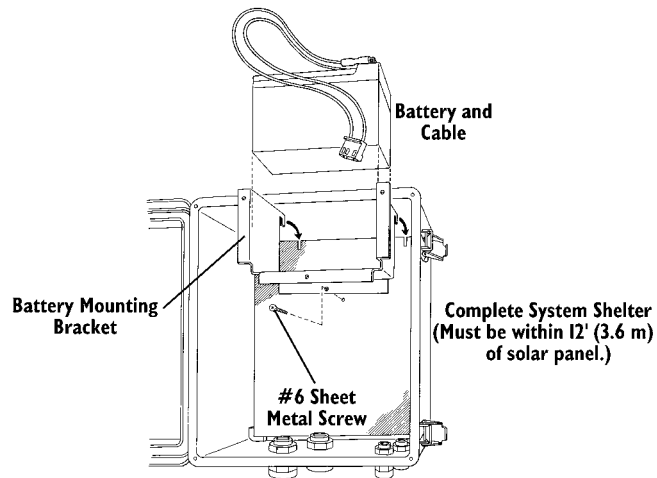
Follow the instructions below to mount the battery in the Complete System Shelter (CSS). Note that if you have already mounted the console into the CSS, you will need to remove it before installing the battery.

- 1. Slide the individual connectors from the battery cable onto to the battery terminals.**
Be sure to connect the red wire to the positive (red) terminal and the black wire to the negative (black) terminal.



ATTACHING BATTERY CABLE

- 2. Secure the battery support bracket to the CSS using the #6 x 1/2" (15 mm) sheet metal screw as shown below.**
Begin by placing the hooks of the support bracket into the slots in the rear panel of the CSS and pulling the bracket down to seat it.
- 3. Place the battery on the support bracket with the terminals towards the right.**



PLACING BATTERY INTO COMPLETE SYSTEM SHELTER

Installing the Battery in other shelters or locations

1. **Connect the battery cable harness wires to the battery terminals (see illustration "Attaching Battery Cable" on page 6.)**

Be sure to connect the red wire to the positive (red) terminal and the black wire to the negative (black) terminal.

2. **Place the battery on a horizontal surface.**

INSTALLING THE REGULATOR CIRCUIT

The instructions below explain how to install the regulator circuit in the Complete System Shelter (CSS).

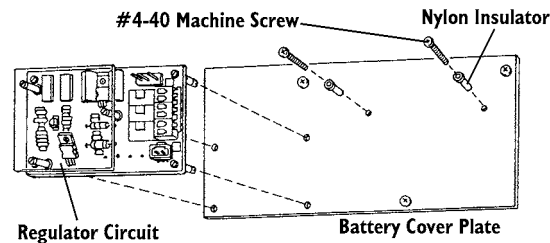
1. **Align the spacer posts at each corner of the regulator circuit over the holes in the battery cover plate.**

Make sure to orient the regulator circuit so the words printed on the circuit board are right side up.

2. **Using firm but gentle pressure, push the charge circuit assembly down until the spacer posts are firmly seated in the holes.**

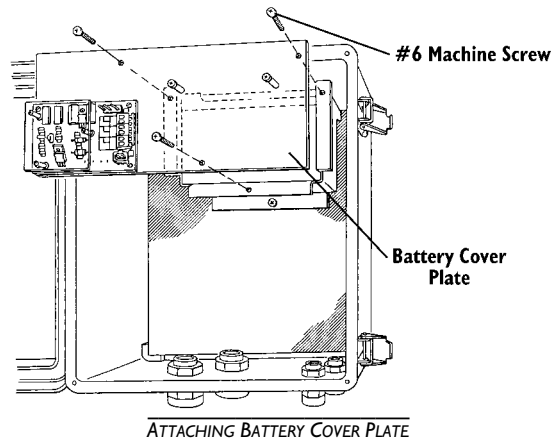
3. **If you plan to mount the station console in the CSS, insert the #4-40 x 1/2" (15 mm) screws into the nylon insulators and attach to the battery cover plate as shown below.**

Do not use the self-tapping screws and nylon insulators supplied with the CSS. The point on the self-tapping screws may inadvertently puncture the battery. If the battery is installed in the CSS you must use the #4-40 x 1/2" (15 mm) screws and nylon insulators supplied with the battery.



ATTACHING REGULATOR CIRCUIT AND CONSOLE SCREWS TO BATTERY COVER PLATE

-
4. Attach the battery cover plate over the battery using the #6-32 x 1/2" (15 mm) machine screw as shown below.

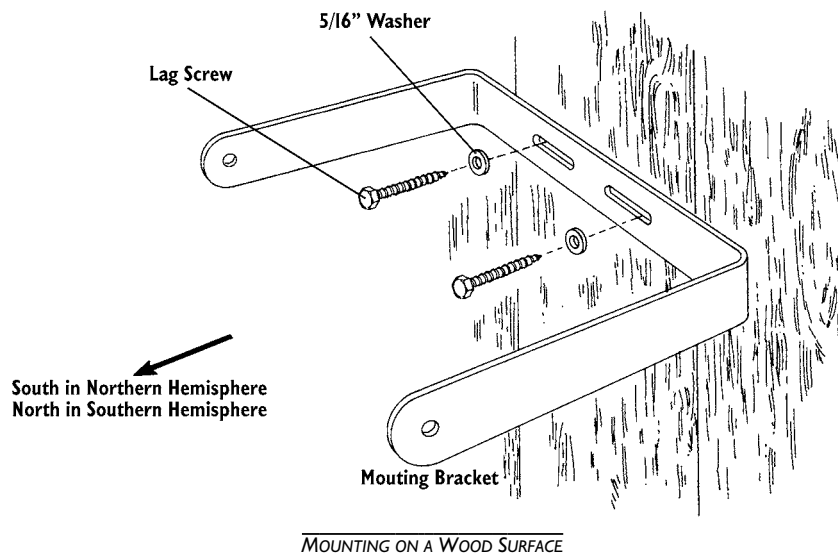


MOUNTING THE SOLAR PANEL

The solar panel may be mounted on the side of a wooden post or wall or on a pipe with outside diameter between 2" and 2-1/2" (51mm and 64mm). The instructions below take you through the procedure required to install the solar panel.

Mounting on a Wood Surface

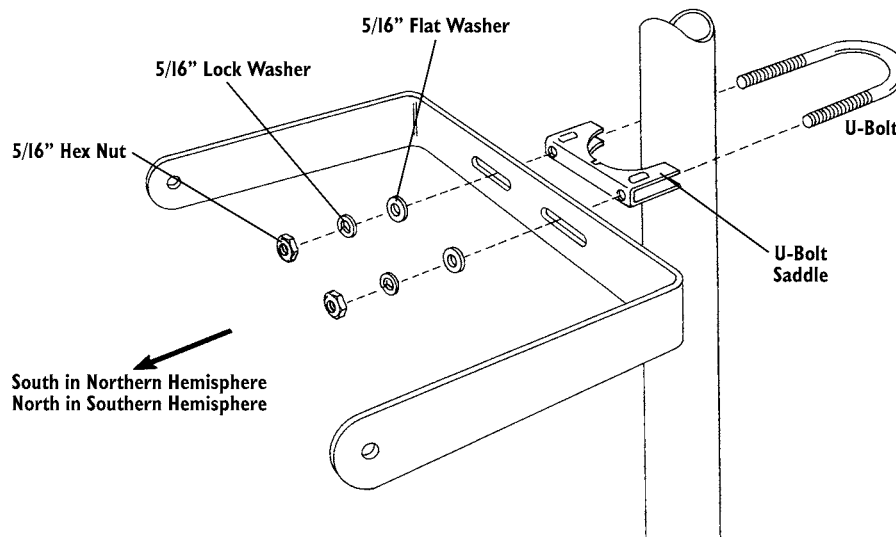
1. Attach the mounting bracket to the surface using 1-1/2" (4 cm) lag screws as shown below. Make sure that the solar panel will be facing south if mounting in the Northern Hemisphere or facing north if mounting in the Southern Hemisphere.



Mounting on a Pipe

1. Hold the mounting bracket and U-bolt saddle against the pipe and slide the ends of the U-bolt through the holes in the saddle and the back of the mounting bracket so that the U-bolts wrap around the pipe.
2. Secure the mounting bracket to the pipe using a 5/16" flat washer, a 5/16" split lock washer and a 5/16" hex nut on each end of the U-bolt.

Make sure that the solar panel will be facing south if mounting in the Northern Hemisphere or facing north if mounting in the Southern Hemisphere.



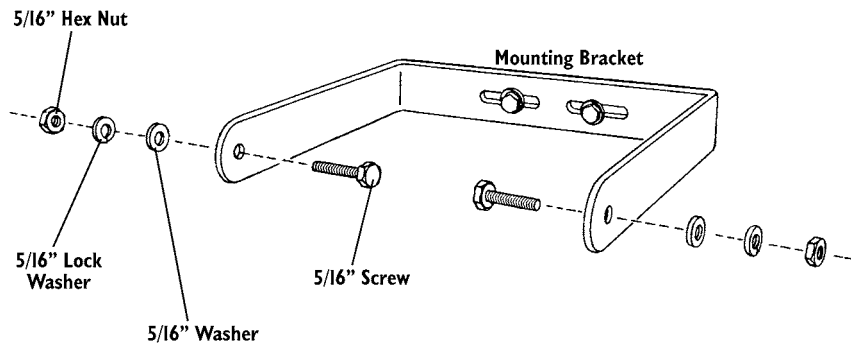
MOUNTING ON A PIPE

Attaching the Solar Panel to the Mounting Bracket

The solar panel is designed to pivot on the 5/16" screws.

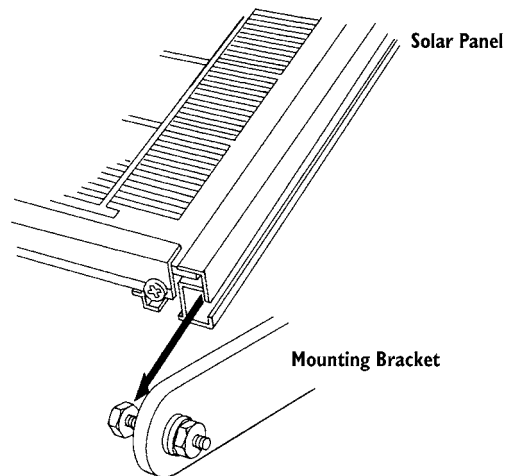
1. Loosely attach the 5/16-18 x 3/4" (2 cm) screws, two 5/16" flat washers, two 5/16" split lock washers, and two 5/16" stainless steel hex nuts to the mounting bracket as shown below.

Do not tighten completely.



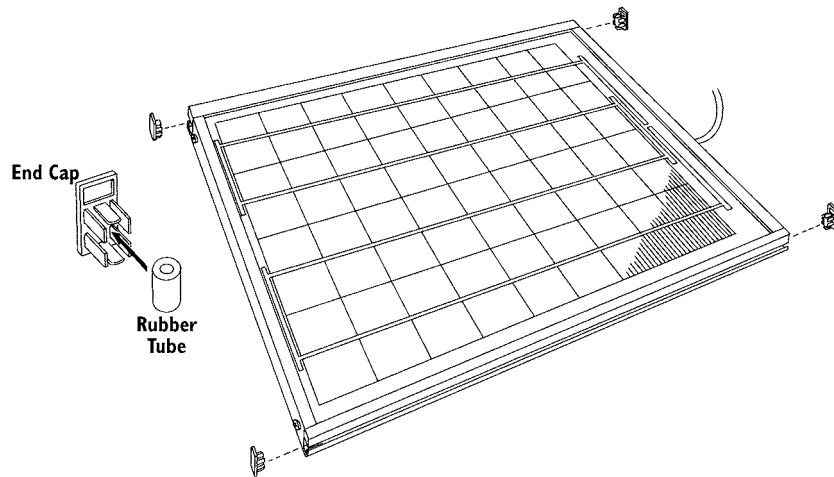
2. Slide the heads of the 5/16-18 x 3/4" (2 cm) screws into the channel on the sides of the panel as shown below.

Slide the screw heads up the channel until they are at the middle of the panel.



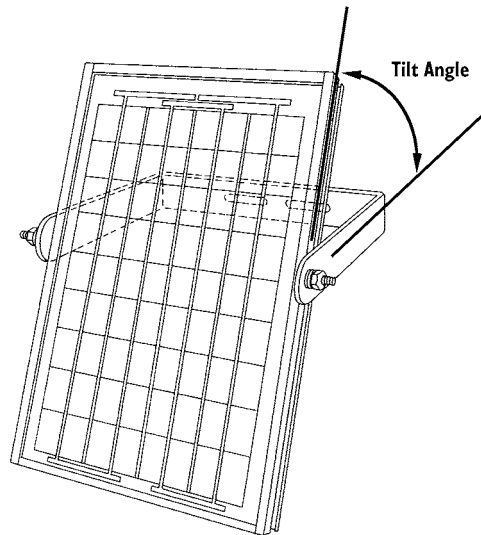
ATTACHING MOUNTING BRACKET TO PANEL

-
- 3. Place a rubber tube into each end cap and insert end caps into the solar panel frame.**
The tubes should just sit within the end cap. Do not force them all the way into the end cap.



INSERTING TUBES AND END CAPS

- 4. Find the optimum tilt angle for the panel using the table in “Location Tips” on page 5.**
5. Using a protractor, adjust the tilt angle of the panel until the angle the panel makes with the horizontal matches the optimal tilt angle.



TILT ANGLE

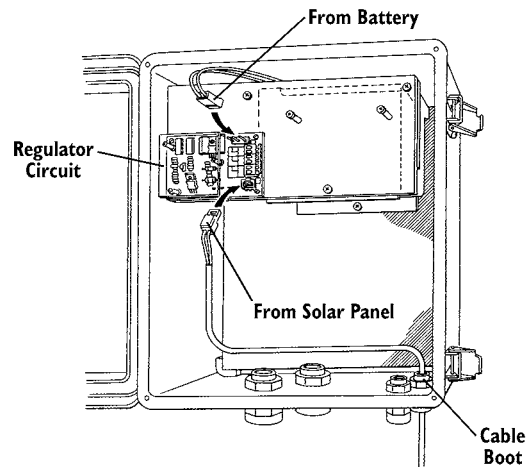
- 6. Tighten the hex screws on the mounting bracket until the solar panel is securely held at this angle.**

CONNECTING TO THE REGULATOR

Follow the instructions below to connect the solar panel, battery, and console to the regulator circuit.

Connecting the Solar Panel and Battery to the Regulator Circuit

1. **Route the cable from the solar panel to the regulator circuit and connect to plug B1.**
If you have mounted the regulator circuit in the Complete System Shelter (CSS), you will need to route the solar panel cable into the CSS through the cable boot in the base of the shelter as shown below.
2. **Route the cable from the battery to the regulator circuit and connect to plug B2.**



CONNECTING CABLES TO THE REGULATOR CIRCUIT

3. **Use a voltmeter to check the battery voltage appearing on the battery test points on the regulator circuit.**
See "Test Points" on page 13.

Connecting the Console to the Regulator Circuit

1. Cut the power adapter cable to remove the adapter.

You will use the connector end of the power adapter cable. If you plan to mount the regulator and the console in the Complete System Shelter (CSS), you will need only 9" (23 cm) of cable attached to the connector. If you plan to mount the regulator and the console elsewhere, you may prefer a longer cable.

2. Place one CI/CONSOLE PWR/PI label onto the power adapter cable so the CI side of the label is nearest the connector end of the cable. Place a second CI/CONSOLE PWR/PI label onto the power adapter cable so the PI end is nearest the cut end of the cable.

3. Strip approximately 5/16" (8 mm) of insulation from the wires on the power adapter cable and insert at PI Power on the regulator circuit.

Insert the wire with the white stripe into the terminal labelled "WHITE."

Insert the black wire (no stripe) into the terminal labelled "BLACK."

4. Connect the jack at the other end of the cable to connector CI underneath the console.

If you have mounted the console outside the CSS, you will need to route this cable out of the CSS through the cable boot in the base of the shelter.

MAINTENANCE INSTRUCTIONS

Ensure that the solar panel surface is free from dust and foreign matter. These may be removed using a clean water spray, or a soft cloth and soapy water followed by a clean water rinse. Do not use harsh chemicals on the panel surface.

Test Points

Four test points, located near the bottom edge of the regulator circuit board facilitate use of a voltmeter to check the operation of the solar panel subsystem.

- ◆ **Test Point 4, identified by "GND" and the symbol is GROUND.**
- ◆ **Test Point 1, identified by the SUN symbol, carries the SOLAR PANEL OUTPUT VOLTAGE.**
- ◆ **Test Point 3, identified by the BATTERY icon, carries the BATTERY VOLTAGE.**
- ◆ **The voltage between Test Points 2 and 3, is generated by the CHARGING CURRENT through 1 Ohm, so the voltage in millivolts is equal to the battery charging current in milliamps.**

6.5-AMP-HOUR BATTERY INFORMATION

The 12 Volt, 6.5-Amp-Hour Battery is used to provide primary power to any of the Davis weather stations when external power is not available.

Specifications

◆ **Type: Sealed Lead-Acid**

No maintenance is required.

◆ **Temperature:**

- ◆ Storage: 5° to 104° F (-15° to 40° C)
 - ◆ Discharge: 5° to 122° F (-15° to 50° C)
 - ◆ Charge: 32° to 104° F (0° to 40° C). If the battery is charged at temperatures below 32°F (0°C), hydrogen and oxygen gases may be discharged at the safety vent. No flame, spark, or lighted cigarette should be permitted nearby.
- ◆ **Storage Time (50% Capacity):**
- ◆ 16 Months at 77°F (25°C) and relative humidity of 55±30%
 - ◆ 4 Months at 104°F (40°C) and relative humidity of 55±30%

Care and Handling

◆ Removing the Battery

If you need to remove the battery, the holes in the bottom of the battery mounting bracket enable you to lift and slide the battery from below.

◆ Disassembling

Do not disassemble the battery. The strong acid electrolyte may burn your skin.

◆ Shorting

Do not short the battery. This can burn out the connections and could damage the equipment.

◆ Disposing

Do not incinerate. Batteries may burst if thrown into fire. **Arrange for proper recycling in your locality.**

◆ Keep the Battery Clean

Wipe the battery with a dry cloth or, if necessary, use a water dampened cloth. Never use oil, gasoline, thinner, or other petrochemicals.

◆ Locate in a Vented Enclosure if Possible

Do not permit spark, flame, or lighted cigarettes in the vicinity of the battery.

◆ Handling a Broken Battery

If the battery is accidentally broken and electrolyte (sulfuric acid) leaks out, wipe it up with a cloth, neutralize the acid with some available alkaline substance such as ammonia solution or baking powder. In the event electrolyte contacts skin, immediately flush with flooded water and consult a doctor.

Product Numbers: 7708 & 7711

Davis Instruments Part Number: 7395-086
Solar Power Kit & 6.5-Amp Hour Battery
Rev. B Manual (2/20/02)

This product complies with the essential protection requirements of the EC EMC
Directive 89/336/EC.

© Davis Instruments Corp. 2002. All rights reserved.

DAVIS 
Davis Instruments
3465 Diablo Avenue, Hayward, CA 94545 U.S.A.